



Efficient technology for gentle transport

The UniLabCar was specifically designed for use in Hospitals and laboratories.

It is particularly suitable for the fast, gentle and hygienic transport of single or multiple samples. The UniLabCar has an open receptacle, which is oscillating and fixed to the transport vehicle.

The special feature of the UniLabCar is the additional use of a special, removable stainless steel transport container in which the samples are stored.

The stainless steel container can be taken separately and enables on the one hand, a pre-picking of

transport samples and on the other hand a time-delayed processing of the samples. Thus the UniLabCar is available for for the next transport immediately. A high plant availability is given at all times. For safe transport there is a locking bolt on the swinging bin which snaps securely and independently into the stainless steel transport container and allows easy removal in the station.

To meet maximum hygiene requirements, the transport container is completely made of stainless steel and can be sterilized in the autoclave.

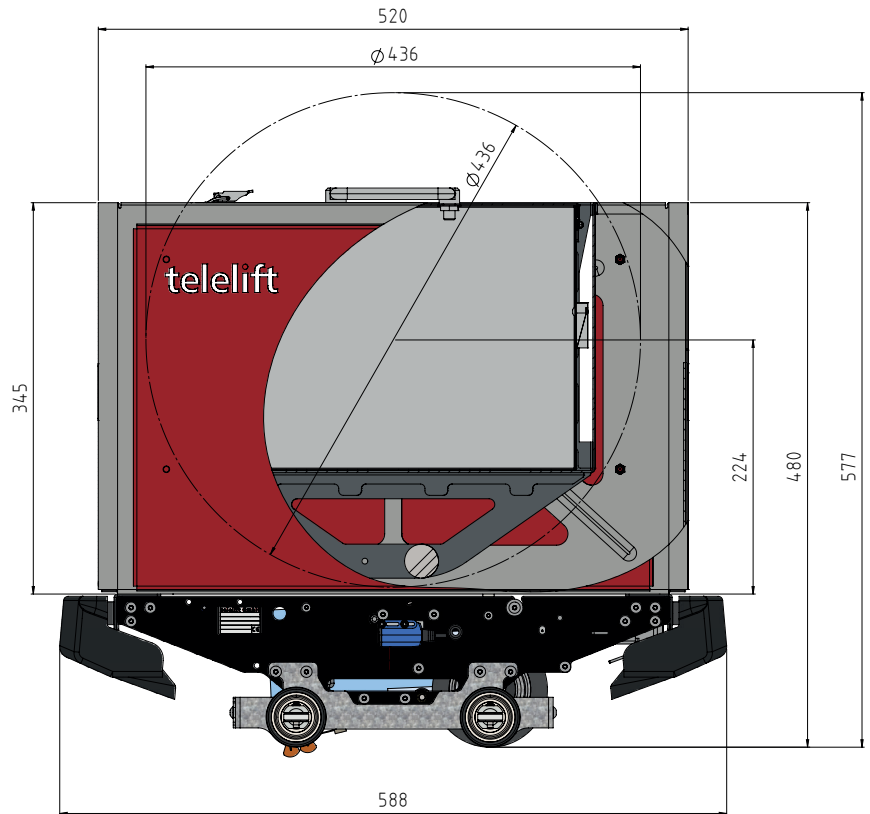
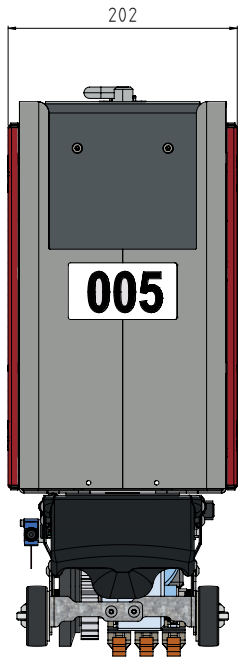
UniLabCar™ features:

- Fast, gentle and efficient transport
- Transport goods do not slip during transport
- Removable stainless steel container for pre-picking samples
- Time-delayed processing of samples possible
- Huge plant availability
- Separate sterilization of containers possible



**MADE
IN
GERMANY**

*More than 1300 installations worldwide!
More than 50 years experience!*



Transport weight and dimensions:

- Max. transport weight: 5 kg
- Max. transport volume: 9,2 Litres
- Max. dimensions: 125x320x230 mm